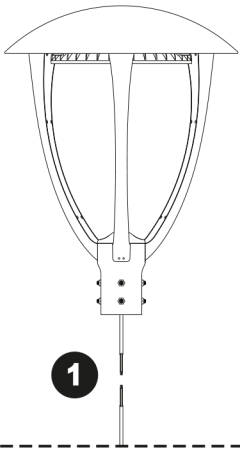
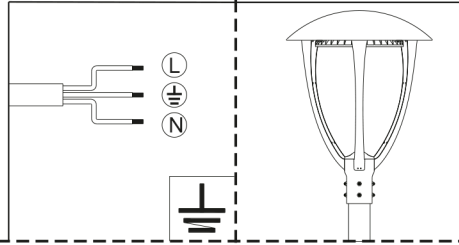


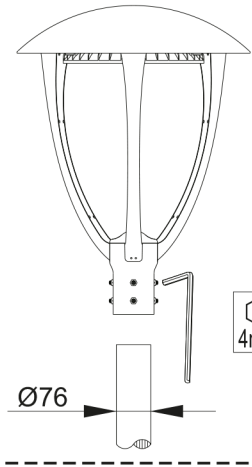
I



1



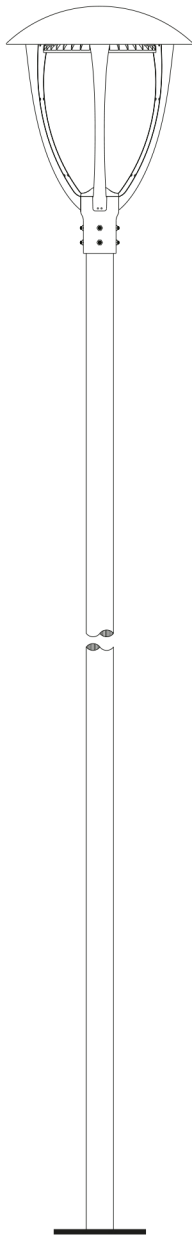
II



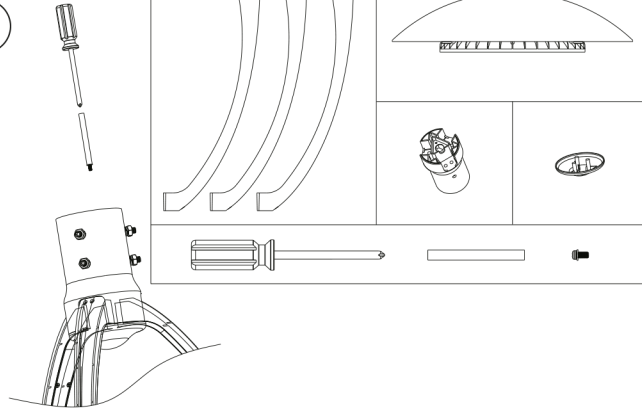
2

4mm 15Nm

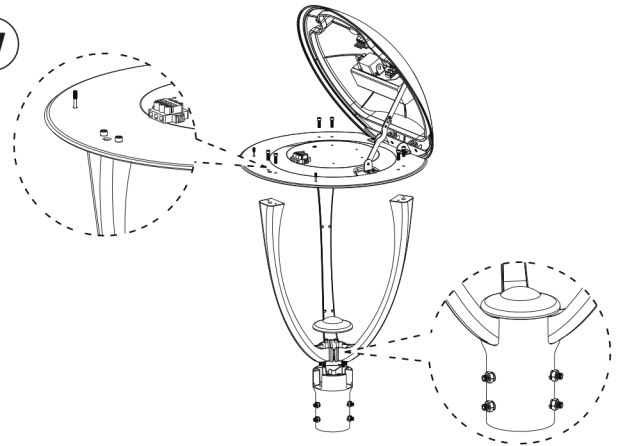
Ø76



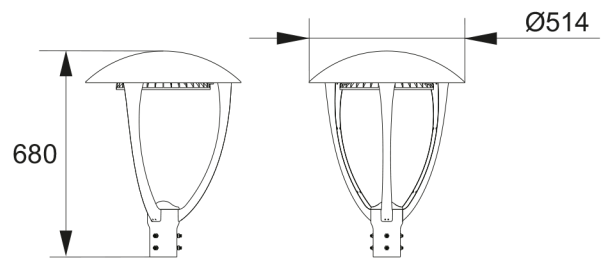
III



IV

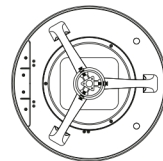


V



680

Ø514



IK08



U_n = 230V
50/60 Hz



CE



RoHS

