

说明书

技术要求:

- 1、尺寸: 145x210mm
- 2、纸质:80g书写纸
- 3、双面红黑两色印刷



Panel Light Installation Instruction

HUIZHOU CDN INDUSTRIAL DEVELOPMENT CO.,LTD.

No. A17, Xianghe West Rd., Dongjiang Ind. Zone, Shuikou, Huizhou, Guangdong, China
http://www.cdnlighting.cc

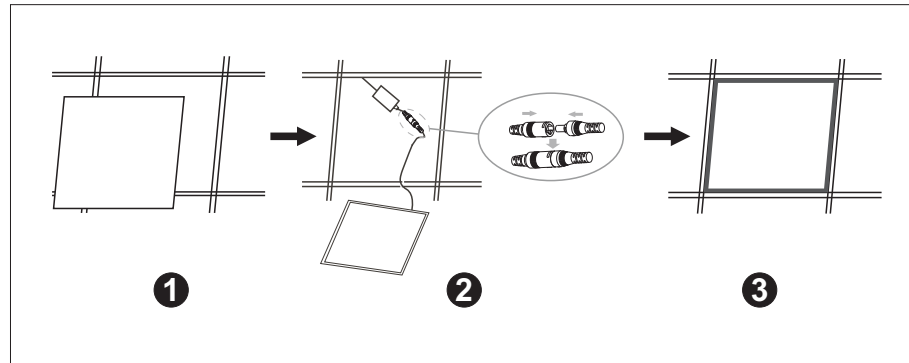
To customers:
- Thank you for choosing our products!
- Please read this instruction carefully before using the product.
This manual should be retained for the future reference.

Please confirm the following important matters before starting each work, in order to ensure safe construction!
If there is any problems with the product, please turn off the power supply and please consult our agent or ask qualified electrician.

Warning: Wrong using may cause accidents.		Caution: Incorrect using may cause damage.	
Before Installation	Warning	Forbidden to use	<p>This product is widely used in indoor application only and it cannot be used under the following environmental conditions. (Risk of Drop, Risk of Electric Shock, Risk of Fire)</p> <ul style="list-style-type: none"> Where ambient temperature is under -10°C or above 40°C Where ceilings that cannot bear the weight of fixture Where fixture is exposed to direct sunlight Where vibration and shock exist Where building insulation may be present in normal use <p>Please contact our Customers Service Team, once use environment cannot be confirmed to be applicable or not.</p> <ul style="list-style-type: none"> Where air conditioner or air outlet exist Where inclined and uneven ceiling exist Where dust and corrosive gas exist Outdoor Application Wet place where humidity is of ≥80% PH
During Installation	Warning	To be carried out	<ul style="list-style-type: none"> The fixture should be installed by a electrician with relevant qualification certificate. (Risk of Safety Accident) The lighting circuit should be wired separately, compared with other power lines, such as air conditioners or high-power electric equipments. Please make sure the power is switched off before installation or maintenance. And it's switched on only after correct wiring. (Risk of Electric Shock). Don't disassemble or retrofit the fixture. (Risk of Electric Shock, Risk of Fire, Risk of Drop, Risk of Failure). Don't touch the fixture when it is working or in a high temperature condition, when fixture just went out (Risk of Burning). Don't operate by wet hands (Risk of Electric Shock). Type Y attachment (a method of attachment such that the flexible cable or cord can only be replaced with the aid of special purpose tools normally available to the manufacturer or his agent) Note - Such a method of attachment can be used either with common flexible cable and cord or with special cables or cords. Do not install this lamp into water directly to avoid any potential safety risks caused by AC input. Choose an install place where can withstand 10 times the weight of the product to ensure a solid installation.
	Caution	To be carried out	<ul style="list-style-type: none"> The actual power is between 90%~110% from the rated power. (The load current carrying capacity of the wire should be considered in construction wiring.) The force bearing point of installation in the ceiling board must be 4 times higher than the fixture weight. (Risk of Drop or Damage) The fire regulations must be observed, when fixture is working. (Risk of Fire) Non replaceable light source: Light source of this fixture is not replaceable. When the light source reaches its end, the entire fixture should be replaced. Please cut off the power supply immediately, if smoke or odor occur, then contact the electrical contractor. (Risk of Fire)

Recessed Installation in T-bar ceiling

- "The fixture can't be covered by any heat insulation pads or similar materials. Be sure that The minimum distance from side of the luminaire to surroundings must be more than 100mm.
1. Take out the false ceiling block that are identical size as panel light
 2. Wiring driver and all other necessary accessories
 3. Fix the panel light into right place, switch on



正面

Recessed Installation with clips

- "The fixture can't be covered by any heat insulation pads or similar materials. Be sure that The minimum distance from side of the luminaire to surroundings must be more than 100mm.

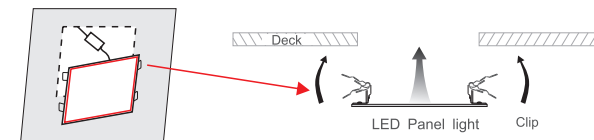
1. Necessary accessories:



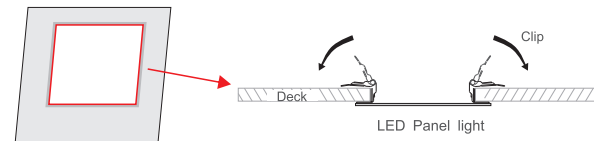
2. Fix PMB3*6 screw on backboard of panel light as shown below.



3. Wiring driver and all other necessary accessories fix the panel light into right place with Clip.



4. Switch on

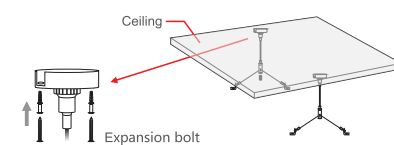


Suspended Installation

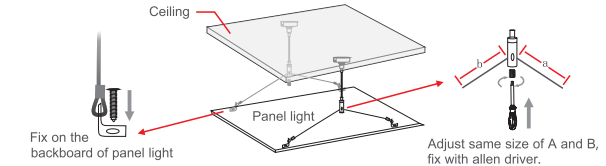
1. Necessary accessories



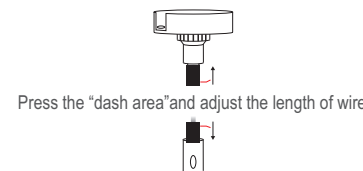
2. Fix the hanging wires onto ceiling in order with expansion bolts



3. Fixing the other two ends of hanging wires on panel light with PWB3x6, adjusting suitable distance between two ends to make sure panel light is located in horizontal level safely.



4. Adjust the length of stainless wire to the suitable height.



反面